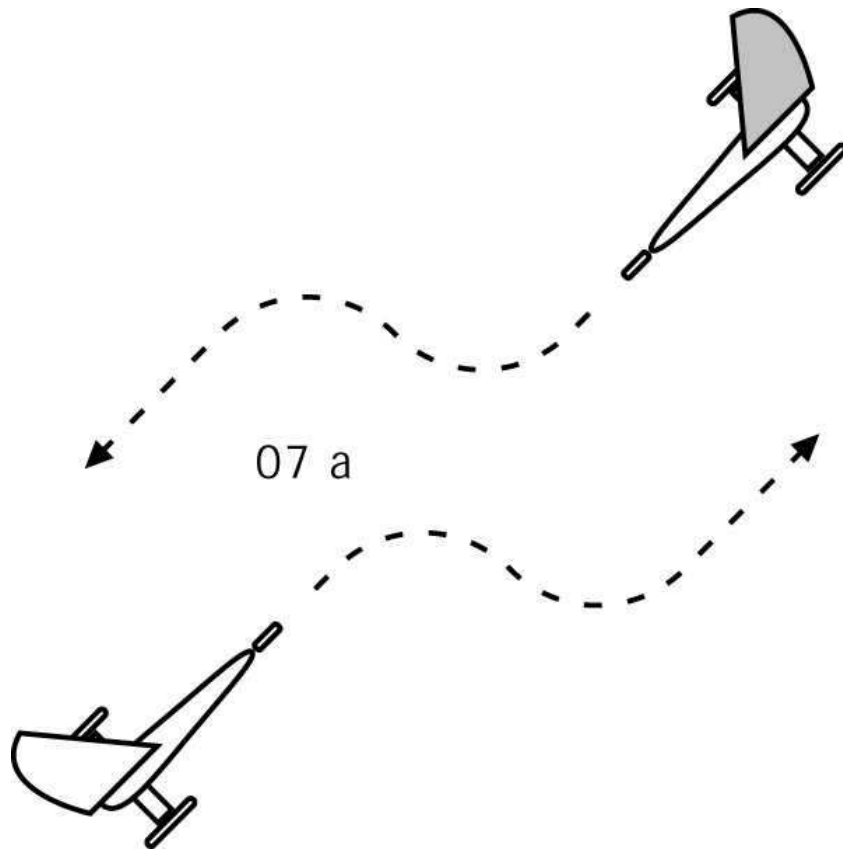
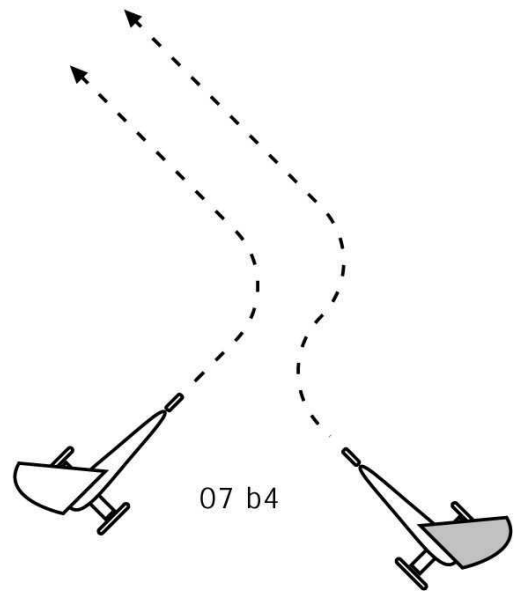
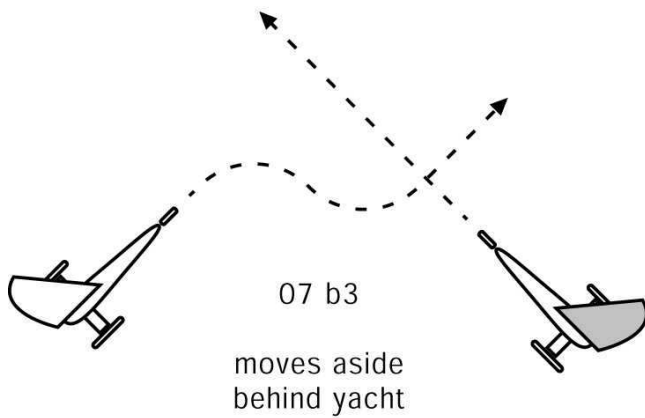
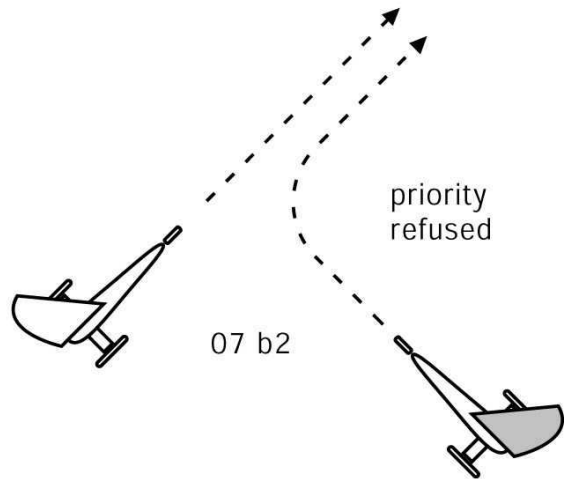
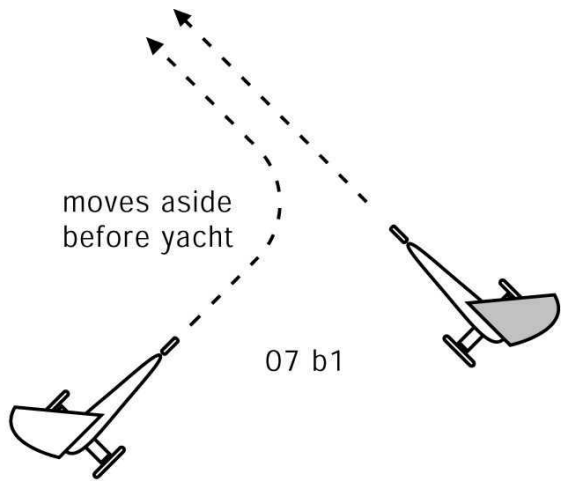


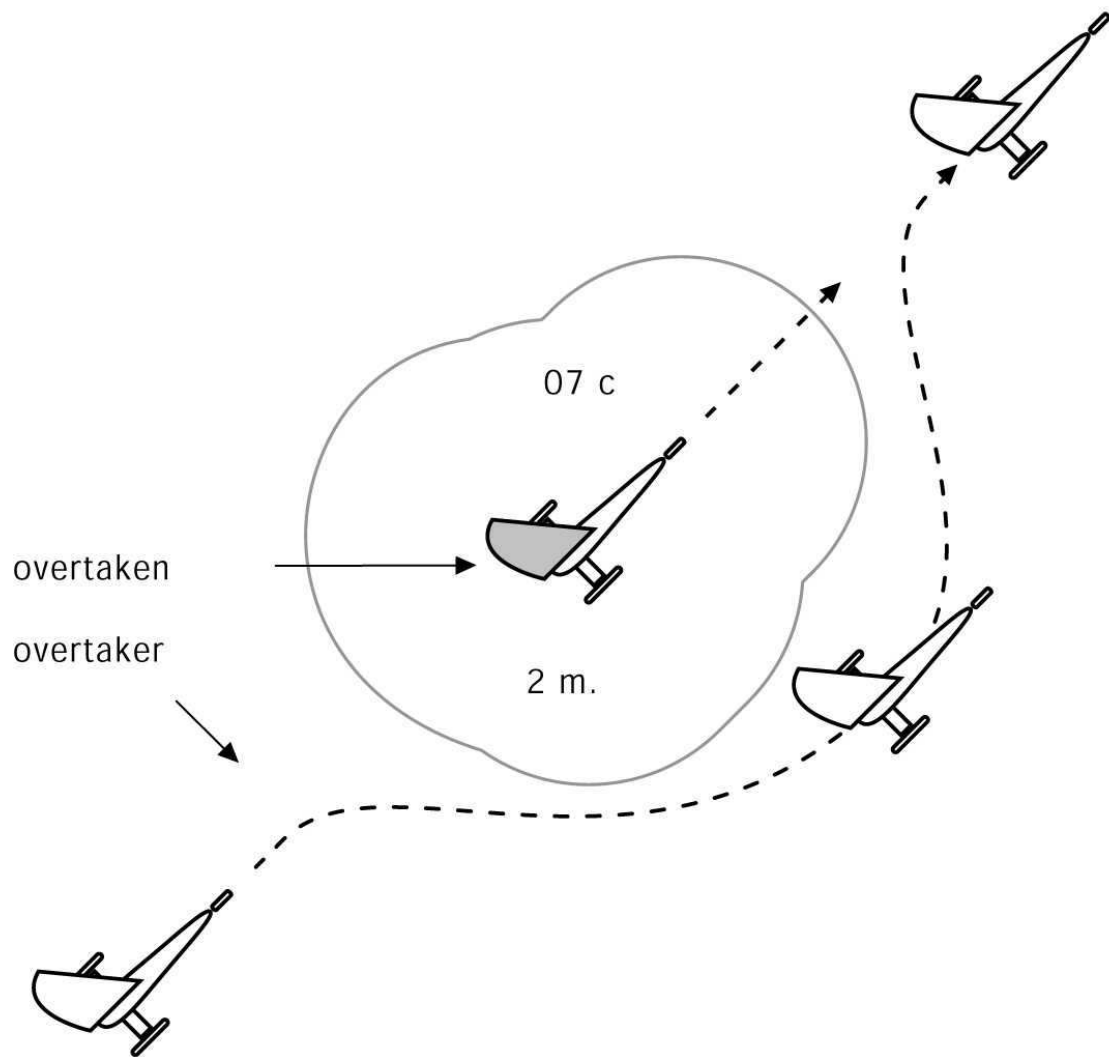
# ANNEX 07 A : MEETING



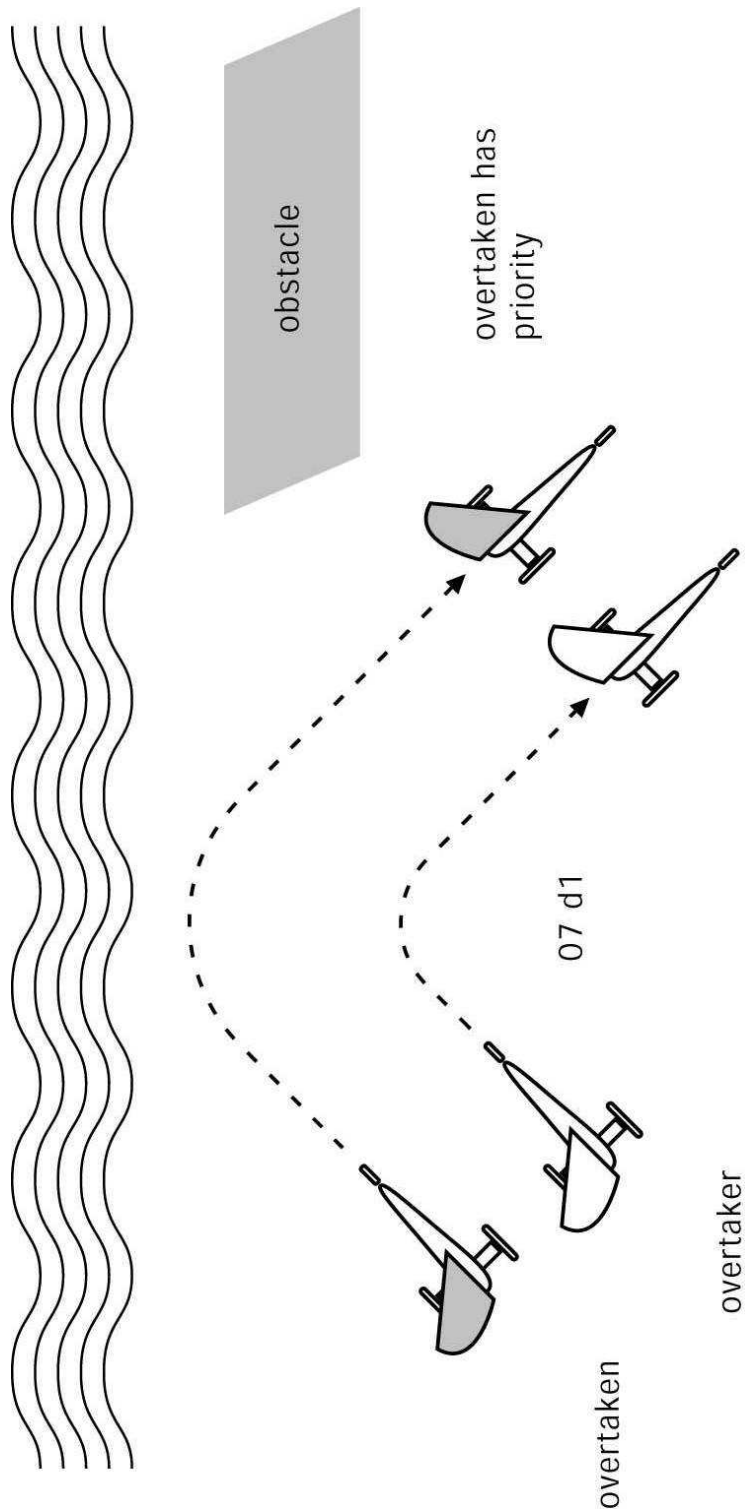
# ANNEX 07 B : CROSSING



# ANNEX 07 C : OVERTAKING



# ANNEX 07 D1 OVERTAKING IN THE PRESENCE OF AN OBSTACLE



# ANNEX 07 D2 OVERTAKING IN THE PRESENCE OF AN OBSTACLE

